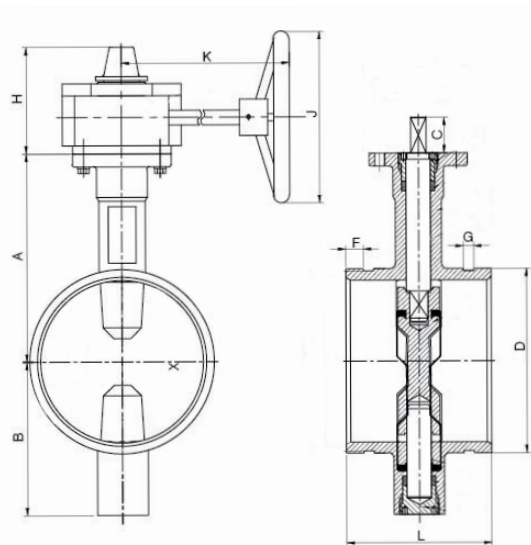


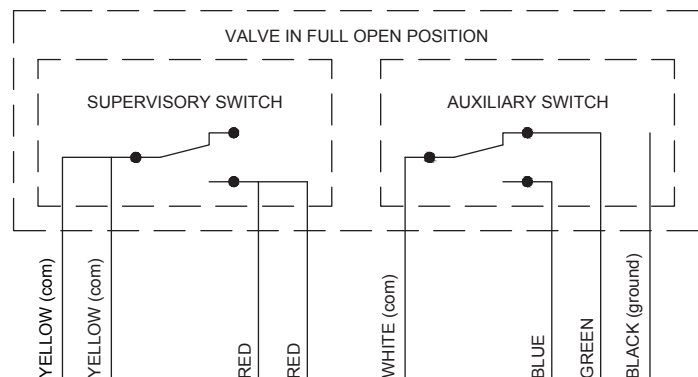


Specification: The GD-38X - GD381Y Butterfly Valve is an indicating type valve designed and listed for use in fire protection systems. This valve is rated for a maximum working pressure of 300 psi (20 bar) and provide a visual indication as to whether the valve is open or closed. It is provided with factory installed supervisory switch monitoring the valve in the open or closed position. Ends are grooved according to ASME B16.1. Certified Lead free by NSF / ANSI 61 / ANSI 372 Epoxy Coated interior and exterior

ITEM SIZE	A	B	C	D	E	F	G	H	K	J	L
2"	125	95	32	60.3	54.7	15.9	7.9	111	153	152	88.2
2-1/2"	125	95	32	7.3 76.1	69.1 72.3	15.9	7.9	111	153	152	96.4
3"	140	100	32	88.9	84.9	15.9	7.9	111	153	152	97
4"	160	100	32	114.3	110.1	15.9	9.5	111	153	152	115.1
5"	170	125	32	139.7 141.3	135.5 137	15.9	9.5	111	153	152	132.4
6"	190	140	32	165.1 168.3	180.7 164	15.9	9.5	111	153	200	132.4
8"	230	175	32	216.9 219.1	211.6 214.6	19	11.1	126	210	300	147.4
10"	280	200	45	267.4 273	262.6 268.3	19	12.7	126	210	300	159
12"	300	240	45	316.4 324	312.9 318.3	19	12.7	161	252	350	165



Electrical drawing

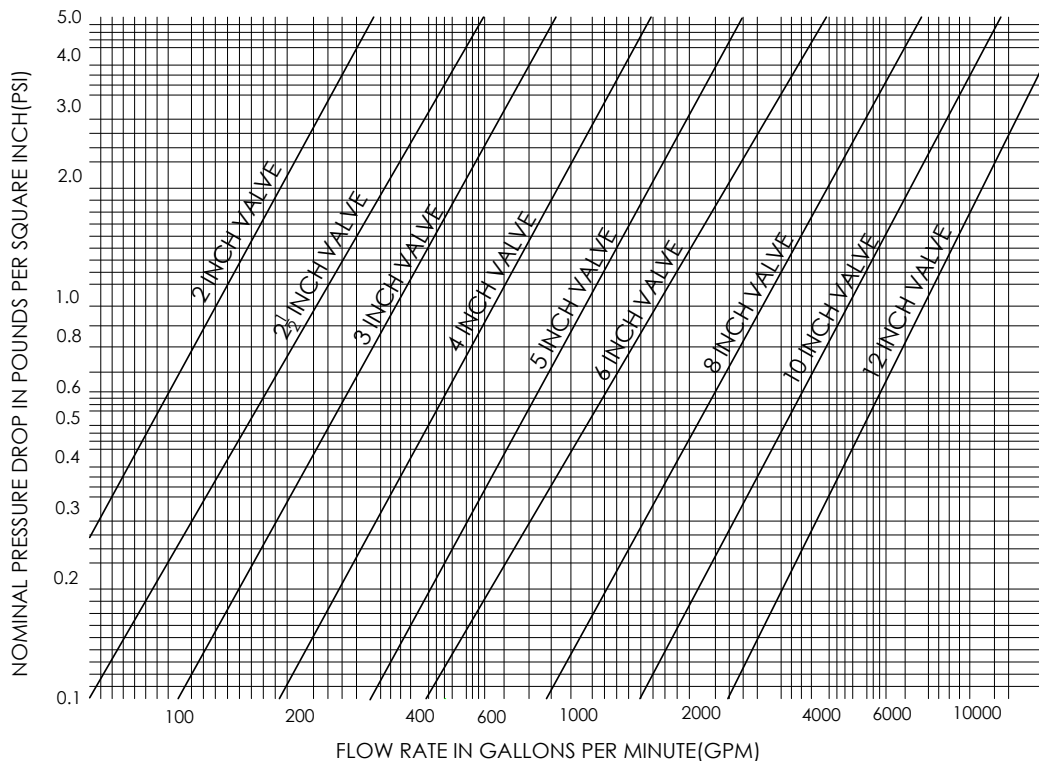


Material specifications

Part	Specification	American standard
Body	Ductile iron	ASTM A536 Grade 65-45-12
Disc	Ductile iron	ASTM A536 Grade 65-45-12
Rubber seat	EPDM	ASTM D2000
Upper and lower shafts	416 stainless steel	ASTM A582
Shaft seal	EPDM	ASTM D2000
O-rings	EPDM	ASTM D2000
Indicator	Ductile iron	ASTM A536 Grade 65-45-12
Cover	Ductile iron	ASTM A536 Grade 65-45-12
Cover Gasket	EPDM	ASTM D2000
Worm gear	304 stainless	ASTM A276
Indicator pin	416 stainless steel	ASTM A582
Actuator housing	Ductile iron	ASTM A536 Grade 65-45-12
Shaft	304 stainless	ASTM A276
Handwheel pin	416 stainless steel	ASTM A582
Handweel	Ductile iron	ASTM A536 Grade 65-45-12
O-ring	EPDM	ASTM D 2000

Flow Characteristics

PRESSURE DROP (PSI) VS. (GPM)



REV. OCT2022